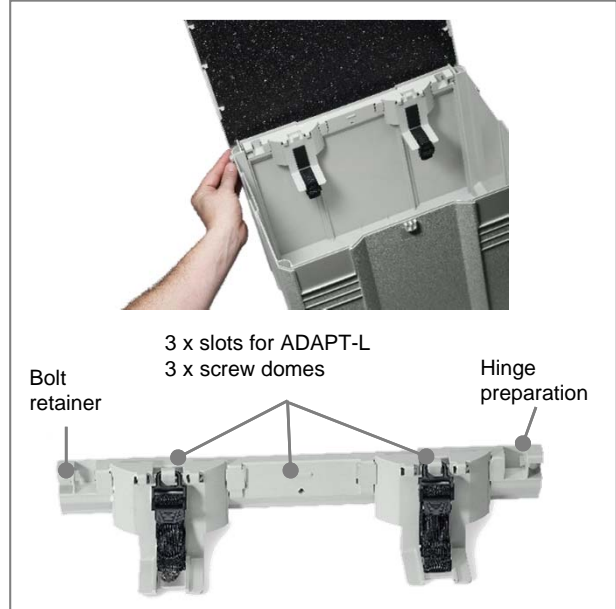




## Transport utensils

## Set of fixation rails "SYS-FS"



Version February 2016 Subject to product modifications, errors and printing errors. All illustrations are non-binding. Décor and product examples are not included in delivery. Non-binding recommended price of the manufacturer. Dealer prices may vary.

### Description

#### Fixing rail set "SYS-FS"

Consisting of adapter set "ADAPT-L", 2-part and crossbeam  
For transport of bulk materials and work materials in the systainer® T-Loc II - V and systainer®, T-Loc "SYS-Combi II + III"

### Colour

light grey

### Art n°

80590726

### Price without VAT (\*)

22.95 €

**"SYS-FS: the clever way to transport small parts!"**

### Technical data

Material: ABS, rubber band, anti slip pad  
Crossbeam dimensions: H 45 x W 355 x D 17 mm  
ADAPT-L dimensions: H 83.5 x W 86 x D 60 mm  
Sales packaging dimensions: H 60 x W 185 x D 430 mm  
Crossbeam weight: 55 g      Crossbeam load: approx. 3 kg  
ADAPT-L weight: 40 g / pc.      ADAPT-L load: approx. 3 kg / pc.  
Total weight: 268 g



For more information about the systainer® scan the QR code!

### Other data

Minimum order quantity: 1 piece  
Pieces/PU 6 pieces  
PUs per pallet: 40 pieces  
PU dimensions: H 175 x W 377 x D 53 mm  
Pallet height: 200 cm  
Customs tariff no. : 392390000000  
Country of origin DE

### Also suitable:



Further info about the products on [www.TANOS.de](http://www.TANOS.de)

plus legally valid VAT, postage and packing (\*)

